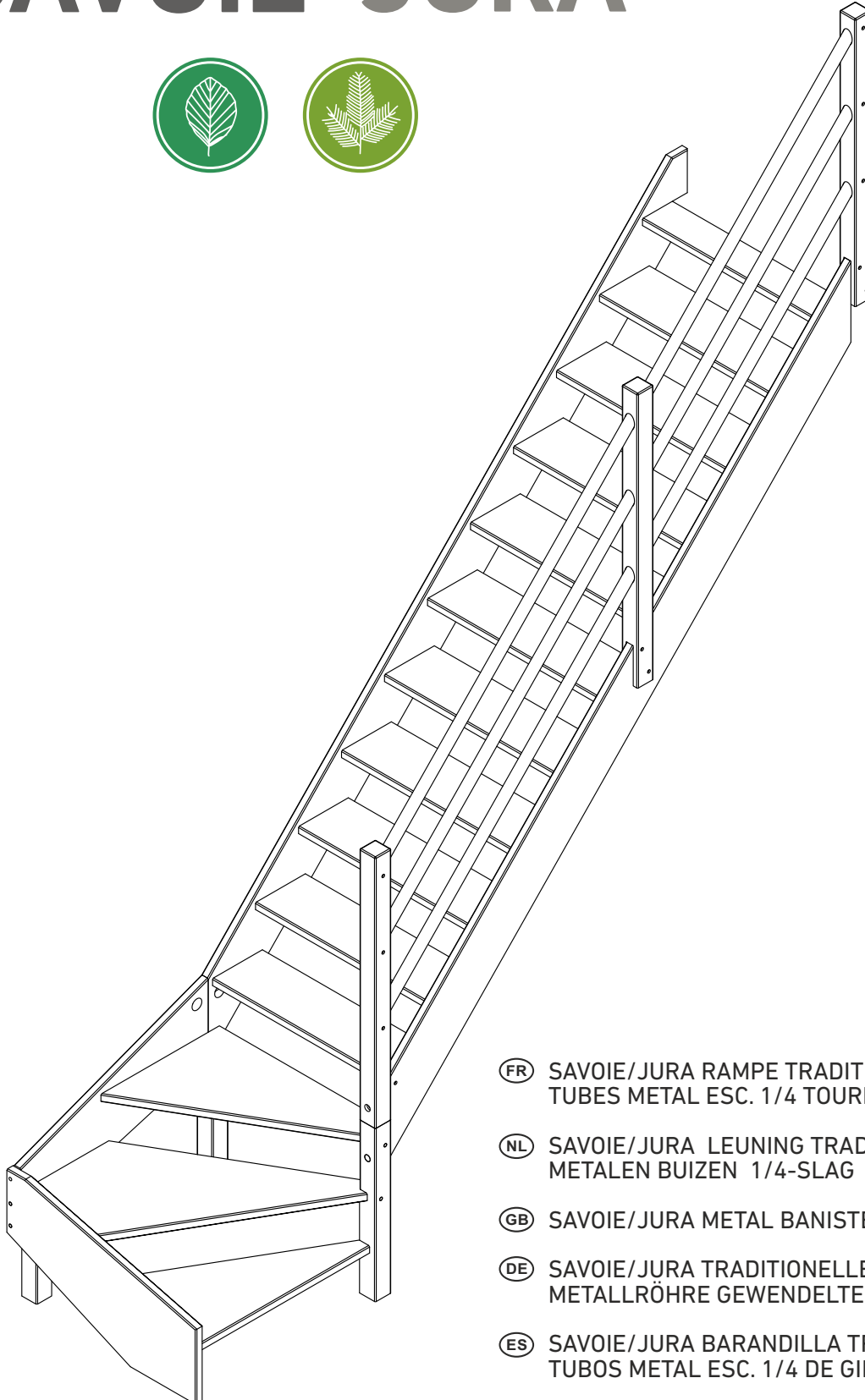




SAVOIE • JURA

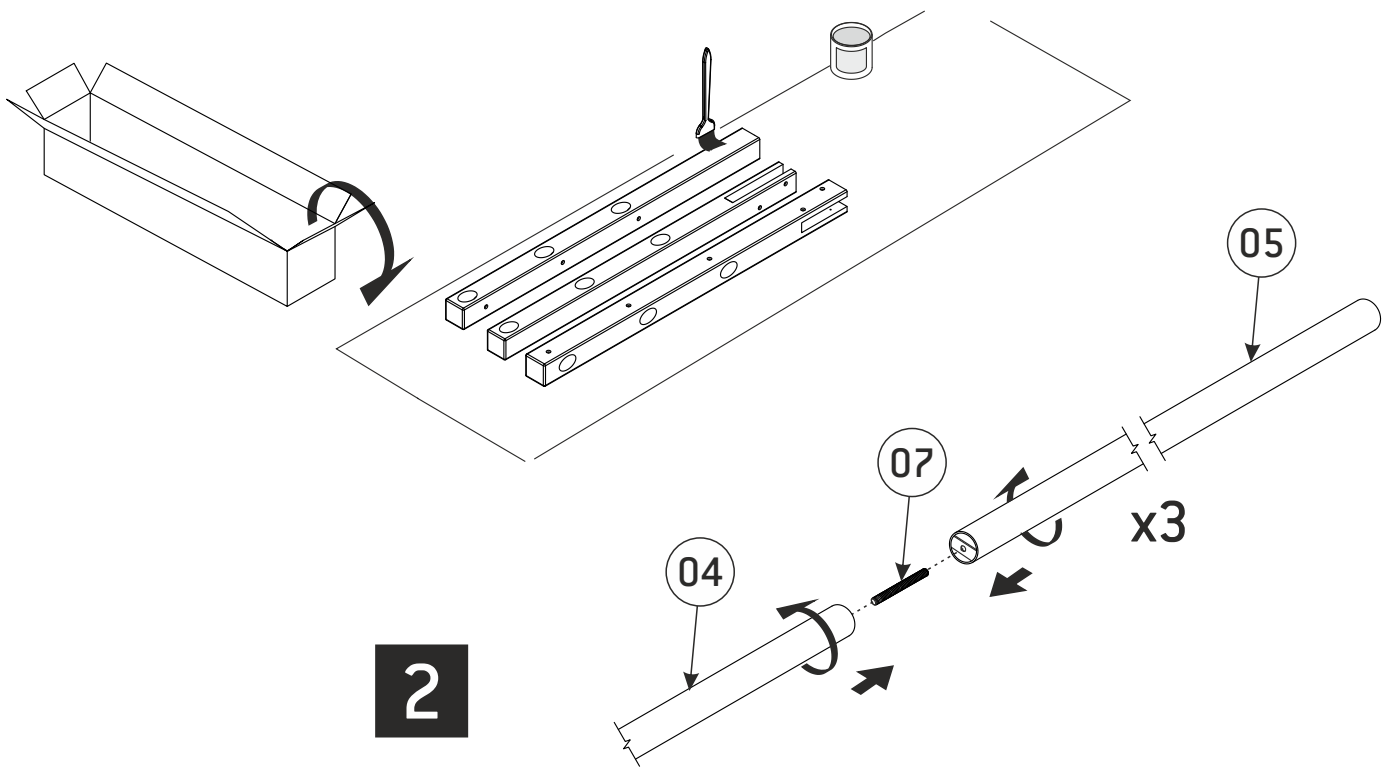


- (FR) SAVOIE/JURA RAMPE TRADITIONELLE TYPE "C"
TUBES METAL ESC. 1/4 TOURNANT
- (NL) SAVOIE/JURA LEUNING TRADITIONEEL TYPE "C"
METALEN BUIZEN 1/4-SLAG
- (GB) SAVOIE/JURA METAL BANISTER 1/4T STAIRCASE
- (DE) SAVOIE/JURA TRADITIONELLES GELÄNDER "C"
METALLRÖHRE GEWENDELTE TREPPE
- (ES) SAVOIE/JURA BARANDILLA TRADICIONAL TIPO "C"
TUBOS METAL ESC. 1/4 DE GIRO
- (RO) SAVOIE/JURA RAMPA METAL SCARA 1/4 T JOS

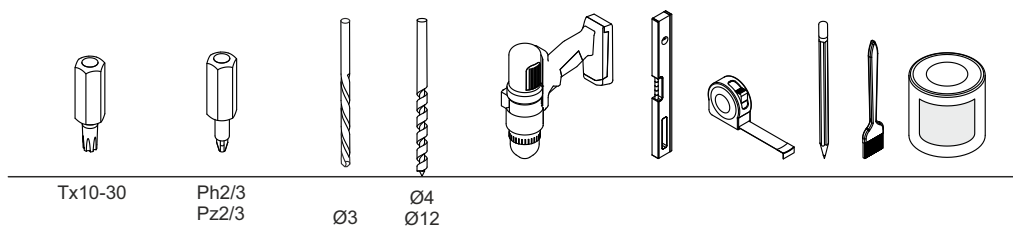


01 70x70x1037.5 mm x1	02 70x70x1126 mm x1	03 70x70x1100 mm x1	04 Ø40x1668 mm x3	05 Ø40x1400 mm x3	06 12x6 mm x15+1	08 4,2x50 mm x6+1	
					07 M6x50 mm x3	09 Ø4x40 mm x8+2	10 Ø5x60 mm x1

1

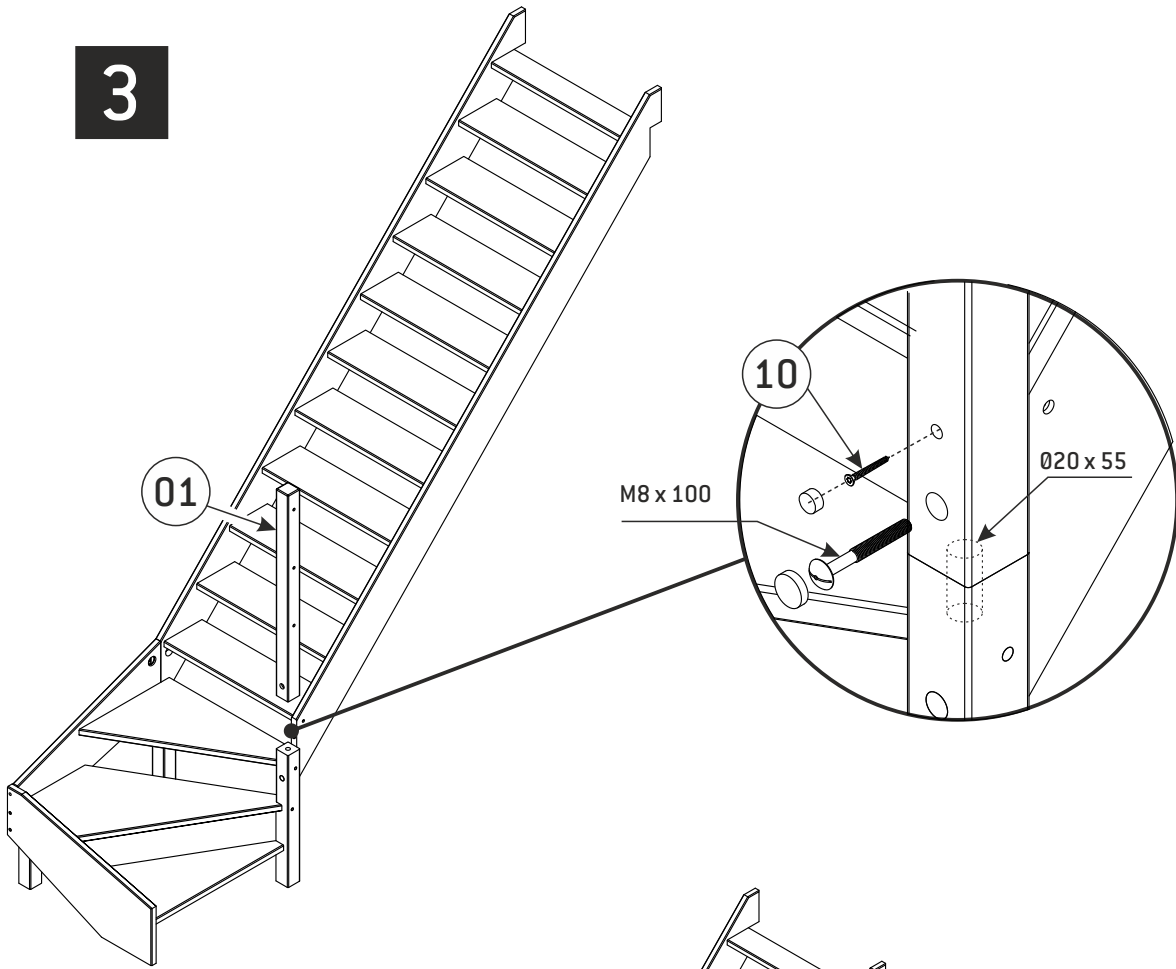


2

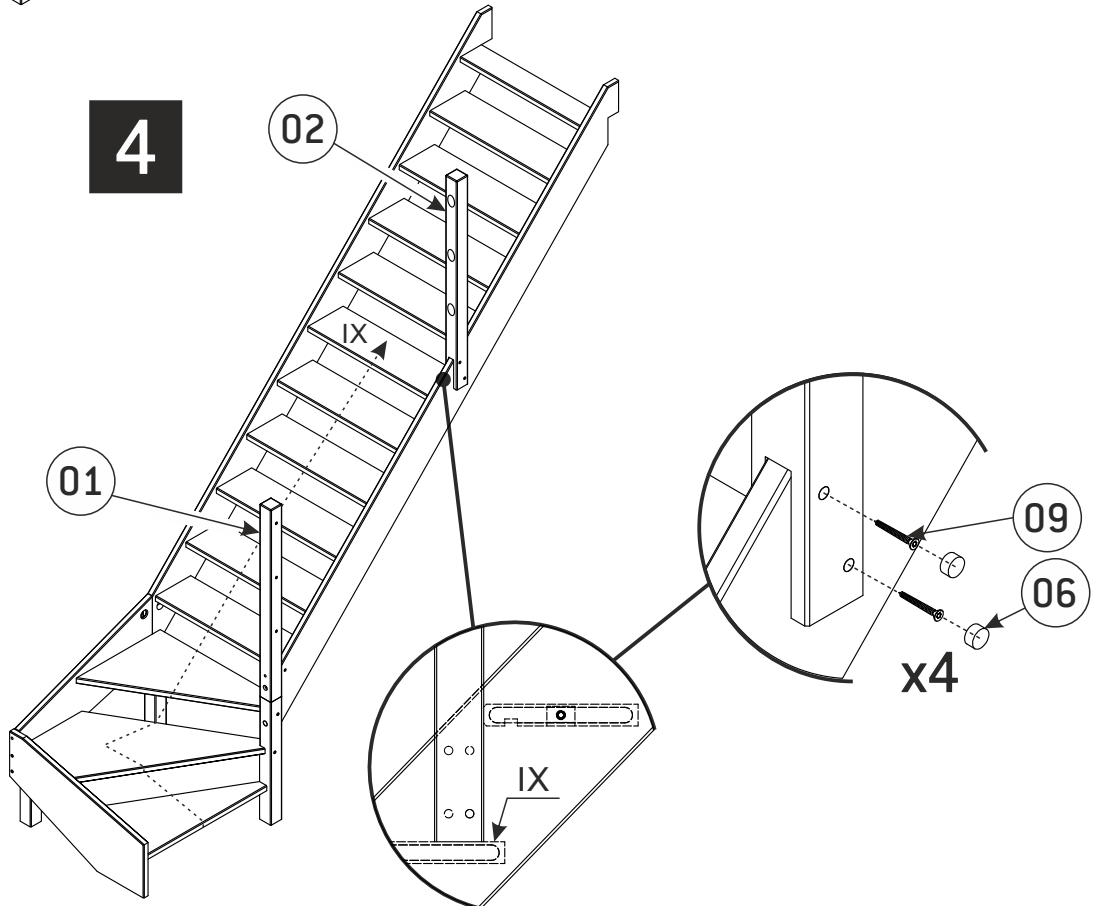


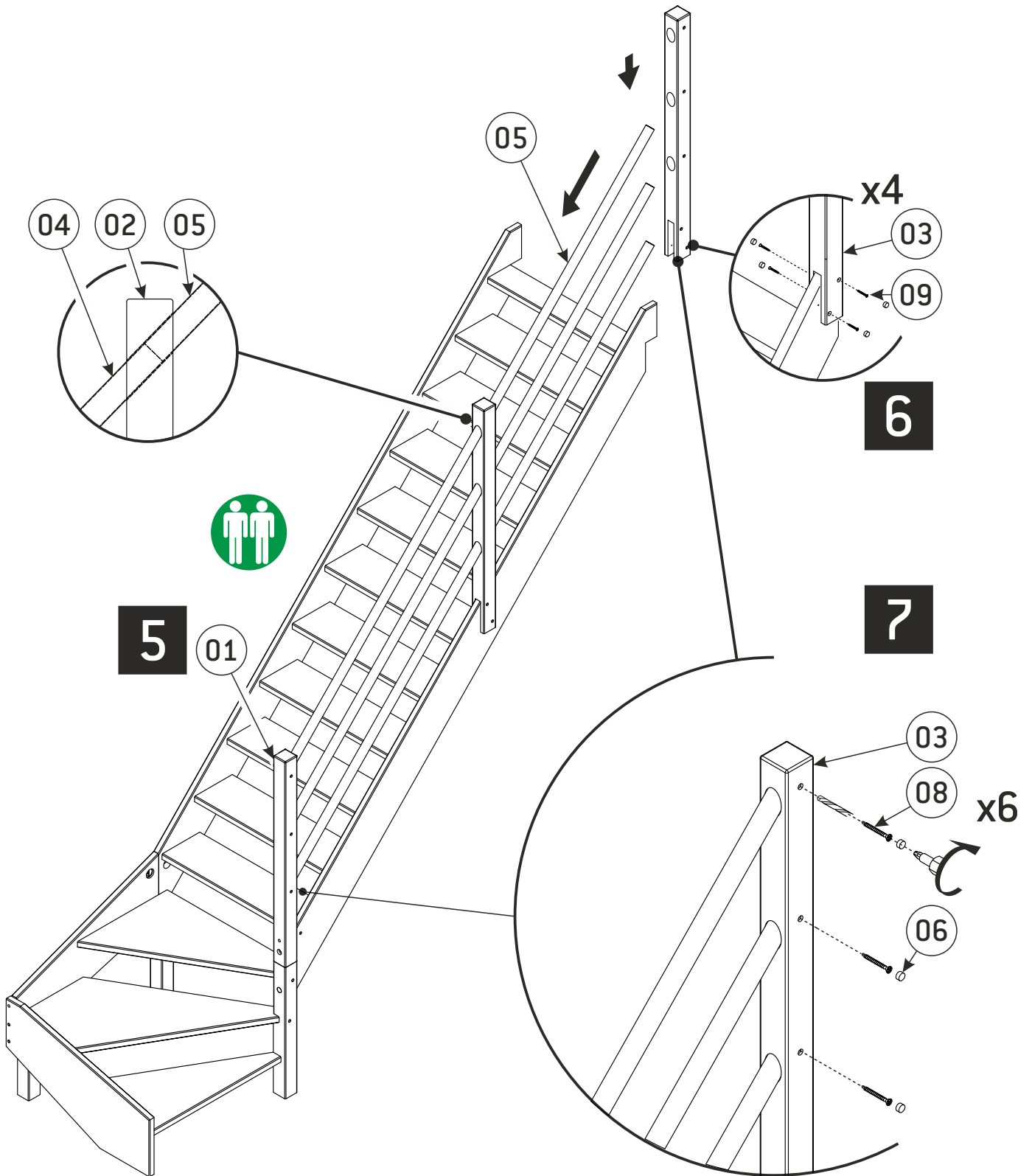


3



4





40 AVENUE DE L'ESPÉRANCE - 6220 FLEURUS - BELGIUM
TEL: +32/71/25.39.60, E-MAIL: info@sogem-sa.com